

Mechanical Purge Spray & Pour Gun PX-7

For use with non-flammable Foam and
Polyurea

For professional use only

Not for use in explosive atmospheres

Service Manual

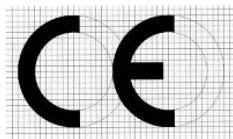
Ref. # MN-04028

Revision 2.1

August 11, 2017



Subscribe to our channel,
**Polyurethane Machinery
Corporation PMC**, for
video instructions.



Polyurethane Machinery Corp.

Corporate: 1 Komo Drive, Lakewood, NJ 08701

Manufacturing: 2 Komo Drive, Lakewood, NJ 08701

Phone: 732-415-4400

Fax: 732-364-4025

URL: <http://www.polymac-usa.com>



Before installing the PX-7 Gun and start-up, carefully read all the technical and safety documentation included in this manual. Pay special attention to the information in order to know and understand the operation and the conditions of use of the PX-7 Gun. All of the information is aimed at improving user safety and avoiding possible breakdowns from the incorrect use of the PX-7 Gun.

Table of Contents

WARRANTY	1
SAFETY AND HANDLING	3
TECHNICAL SPECIFICATIONS	5
GENERAL DESCRIPTION	6
OPERATION	7
Mixing Module and PCD Installation	8
Valving Rod Adjustment.....	10
Rear Packing Nut Adjustment.....	10
Air Cap Valve Adjustment	12
Shutdown Procedure	12
MAINTENANCE	13
Daily Cleaning Procedure	14
TROUBLE SHOOTING GUIDE	15
REFERENCE GUIDE	16
Module Kits.....	16
PCD Sizes	16
Module Drills.....	16
Cylinder/Piston Rebuild Kit	17
Trigger Rebuild Kit.....	17
Gun Block Rebuild Kit, PX-7	17
Screen Screw Kit, A-Side, PX-7	18
Screen Screw Kit, R-Side, PX-7.....	18
PX-7 Spare Parts Kit, #1, PX-7	18
PX-7 Spare Parts Kit, #3, PX-7	19
PX-7 Spare Parts Kit, #5, PX-7	19
PX-7 Spare Parts Kit, A3, PX-7.....	20
PX-7 Spare Parts Kit, A5, PX-7.....	20
Screen Kits	20
1/4" Unheated Stainless Steel Hose Assy.....	21
Flush Tanks	21
PARTS IDENTIFICATION	22
Gun Assembly	22
Gun Block Assembly.....	23
Air Cylinder Assembly.....	24

Handle Assembly	26
Coupling Block Assembly	27
Manual Valve Assembly.....	28
Torque Specifications	29

Table of Figures

Figure 1: PX-7 Dimensions	5
Figure 2: PX-7 Overview.....	6
Figure 3: PX-7 Side View.....	6
Figure 4: Safety Stop	7
Figure 5: Coupling Block Hose Installation.....	7
Figure 6: Closing Manual Valves	7
Figure 7: Coupling Block Gaskets.....	7
Figure 8: Air Inlet Configuration Options	8
Figure 9: Turn Forward Stop Clockwise	9
Figure 10: Spray Configuration	9
Figure 11: Pour Configuration.....	9
Figure 12: Valving Rod Adjustment.....	10
Figure 13: Rear Packing Nut.....	10
Figure 14: Air Cap Valve Adjustment	12
Figure 15: Flush Block Installation	14
Figure 16: Clean Parts.....	14
Figure 17: Kit MA-41 Shown on PX-7	21
Figure 18: 2.5 Gallon Flush Tank (200426).....	21
Figure 19: 1 QT Mini Flush Tank (200216)	21

WARRANTY

Polyurethane Machinery Corporation (hereinafter “PMC”) provides this **LIMITED WARRANTY** (hereinafter “Warranty”) to the original purchaser (hereinafter “Customer”) covering this equipment and the original PMC manufactured accessories delivered with the equipment (hereinafter “Product”) against defects in material or workmanship of the Product (hereinafter “Defect” or “Defective”) for a period of one (1) year from the date of first purchase as shown on the original PMC invoice (hereinafter “Warranty Period”).

If during the Warranty Period under normal use, the Product is suspected by Customer to be Defective in material or workmanship, it is Customer’s responsibility to contact PMC and return the Product to PMC as directed by PMC, freight prepaid. If PMC determines that the Product is Defective and that such Defect is covered by this Warranty, PMC will credit Customer for the reasonable freight charges incurred by Customer in returning the Defective Product to PMC, and PMC (or its authorized agent) will, at PMC’s option, repair or replace the Product, subject to the following:

Original Invoice: The original invoice must be kept as proof of the date of first sale and the Product serial number. The Warranty does not cover any Product if the Original Invoice appears to have been modified or altered, or when the serial number on the Product appears to have been altered or defaced.

Product Maintenance: It is the Customer’s responsibility to maintain the Product properly. See your maintenance schedule and owner’s manual for details. The Warranty does not cover an improperly maintained Product.

Non-PMC Components and Accessories: Non-PMC manufactured components and accessories that are used in the operation of the Product are not covered by this Warranty. Such components and accessories shall be subject to the warranty offered to the Customer, if any, by the original manufacturer of such component or accessory.

Other Warranty Exclusions: The Warranty does not cover any Product that PMC determines has been damaged or fails to operate properly due to misuse, negligence, abuse, carelessness, neglect, or accident. By way of example only, this includes:

- Normal wear and tear.
- Improper or unauthorized installation, repair, alteration, adjustment or modification of the Product.
- Use of heating devices, pumping equipment, dispensers, or other parts or accessories with the Product that have not been approved or manufactured by PMC.
- Use of air tool oil for lubricating the product
- Failure to follow the operating instructions and recommendations provided by PMC may cause loss or damage to personnel, equipment, or work area.
- Fire, flood, “acts of God,” or other contingencies beyond the control of PMC.

THE WARRANTY DESCRIBED HEREIN IS THE EXCLUSIVE REMEDY FOR THE CUSTOMER AND IS IN LIEU OF ALL OTHER WARRANTIES, EXPRESS, IMPLIED, STATUTORY OR OTHERWISE, AND THE IMPLIED WARRANTIES OF MERCHANTABILITY AND FITNESS FOR A PARTICULAR PURPOSE AND ALL OTHER WARRANTIES ARE HEREBY DISCLAIMED. TO THE FULLEST EXTENT PERMITTED BY LAW, PMC SHALL NOT BE RESPONSIBLE, WHETHER BASED IN CONTRACT, TORT (INCLUDING, WITHOUT LIMITATION, NEGLIGENCE), WARRANTY OR ANY OTHER LEGAL OR EQUITABLE GROUNDS, FOR ANY CONSEQUENTIAL, INDIRECT, INCIDENTAL, LOST PROFITS, SPECIAL, PUNITIVE OR EXEMPLARY DAMAGES, WHETHER TO PERSON OR PROPERTY, ARISING FROM OR RELATING TO THE PRODUCT, EVEN IF PMC HAS BEEN ADVISED OF THE POSSIBILITY OF SUCH LOSSES OR DAMAGES.

Non-Warranty Service by PMC: If PMC determines that the suspected Defect of the Product is not covered by this Warranty, disposition of the Product will be made pursuant to the terms and conditions of PMC's written estimate on a time and materials basis.

Continuing Warranty for Products Repaired or Replaced under Warranty: Following the repair or replacement of a Product covered by this Warranty, such Product will continue to be subject to the original Warranty for the remainder of original Warranty Period or for three (3) months from the repair or replacement date, whichever is longer.

No Rights Implied: Nothing in the sale, lease or rental of any Product by PMC shall be construed to grant any right, interest or license in or under any patent, trademark, copyright, trade secret or other proprietary right or material owned by anyone; nor does PMC encourage the infringement of same.

Exclusive Warranty: This writing is the final, complete, and exclusive expression of the Warranty covering the Product. Any statements made by PMC, its employees or agents that differ from the terms of this Warranty shall have no effect. It is expressly understood that Customer's acceptance of this Warranty, by performance or otherwise, is upon and subject solely to the terms and conditions hereof, and any additional or different terms and conditions proposed or expressed by Customer or anyone, whether in writing or otherwise, are null and void unless specifically agreed to in writing by an Officer of PMC.

SAFETY AND HANDLING

This chapter contains important information on the safety, handling and use of your PX-7 Gun.



Before installing the PX-7 Gun and start-up, carefully read all the technical and safety documentation included in this manual. Pay special attention to the information in order to know and understand the operation and the conditions of use of the PX-7 Gun. All of the information is aimed at improving user safety and avoiding possible breakdowns from the incorrect use of the PX-7 Gun.

WARNING! *Presents information to alert of a situation that might cause serious injuries if the instructions are not followed.*

CAUTION! *Presents information that indicates how to avoid damage to the equipment or how to avoid a situation that could cause injuries.*

NOTE! *Is relevant information of a procedure being carried out.*

Careful study of this Manual will enable the operator to know the characteristics of the Gun and the operating procedures. By following the instructions and recommendations contained, you will reduce the potential risk of accidents in the installation, use or maintenance of the PX-7 Gun; you will provide a better opportunity for incident-free operation for a longer time, greater productivity and the possibility of detecting and resolving problems fast and simply.

Keep this Service Manual for future reference to useful information. If you lose this Manual, ask for a new copy from your PMC Service Center or go to the company website (www.polymac-usa.com).

The PX-7 Gun has been designed and built for the application of polyurea chemical systems, polyurethane foam chemical systems and some two-component epoxy systems.

WARNING! The design and configuration of the PX-7 Gun does not allow its use in potentially explosive atmospheres or exceeding the pressure and temperature limits described in the Technical Specifications of this Manual to be exceeded.

Always use liquids and solvents that are compatible with the PX-7 Gun. If in doubt, consult **PMC** Technical Service.

When working with the PX-7 Gun, it is recommended that the operator wear suitable clothing and elements of personal protection, including, without limitation, gloves, protective goggles, safety footwear and face masks. Use breathing equipment when working with the Gun in enclosed spaces or in areas with insufficient ventilation. The introduction and follow-up of safety measures must not be limited to those described in this Manual. Before beginning to work with the Gun, a comprehensive analysis must be made of the risks derived from the products to be dispensed, the type of application and the working environment.



To prevent possible injury caused by incorrect handling of the materials and solvents used in the process, carefully read the Material Safety Data Sheet (MSDS) provided by your supplier.



To avoid damage caused by the impact of pressurized fluids, do not open any connection or perform maintenance work on components subject to pressure until the pressure has been completely eliminated.



Use suitable protection when operating, maintaining or being present in the area where the equipment is functioning. This includes, but is not limited to, the use of protective goggles, gloves, shoes and safety clothing and breathing equipment.



The equipment includes components that reach high temperatures and can cause burns. Hot parts of the equipment must not be handled or touched until they have cooled completely.



The equipment sprays high pressure fluids that can lead to fluid being injected under the skin or eyes. Severe injury could be incurred. Proper personal protective equipment should be used in conjunction with training and situational awareness of all personnel on the job.

TECHNICAL SPECIFICATIONS

Maximum Working Pressure:.....3,500 psi (245 Bar)
 Air Pressure:..... 90-125 psi (6.2-8.6 Bar)
 Weight (Not including Coupling Block): 4.3 lbs (2.0 kg)
 Weight (Including Coupling Block):..... 5.0 lbs (2.3 kg)

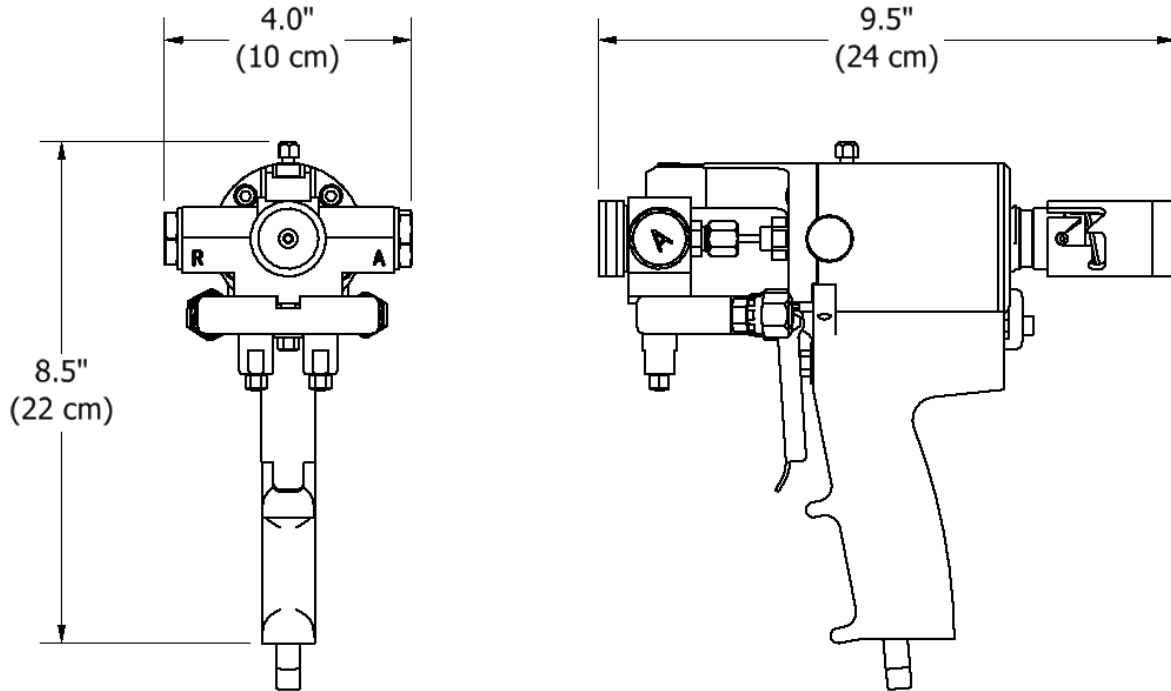


Figure 1: PX-7 Dimensions

Flow Rates of Spray Modules				
MODULE #	MODULE KIT PART #	PRESSURE (PSI)	OUTPUT (LB/MIN)	PATTERN DIA. (IN)
#1 Round	200547	1000	22	22
#3 Round	200549	1000	12	12
#5 Round	200551	1600	16	14

GENERAL DESCRIPTION

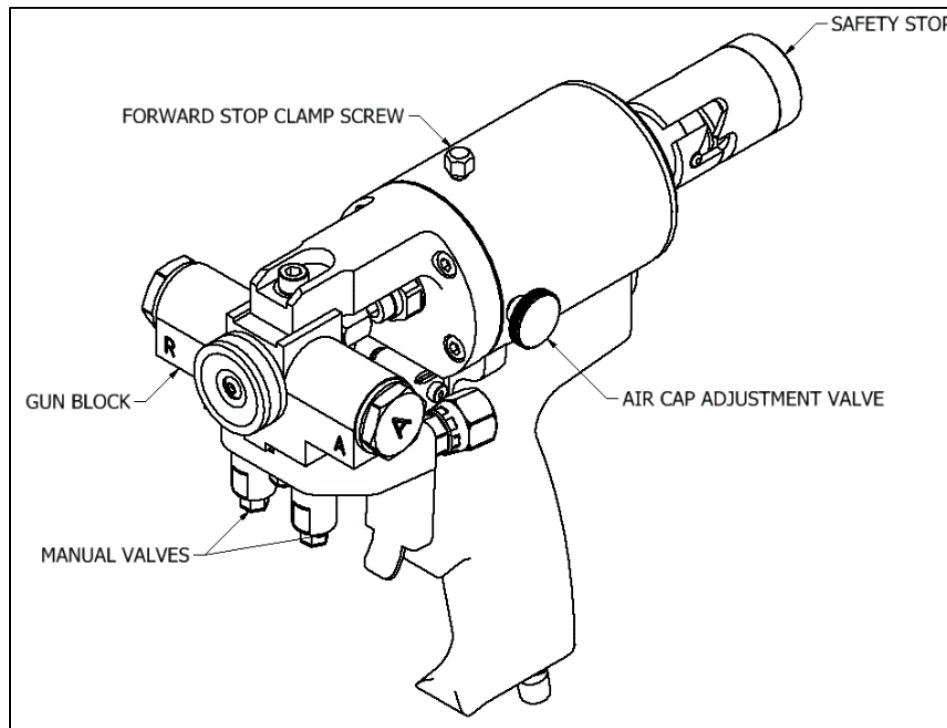


Figure 2: PX-7 Overview

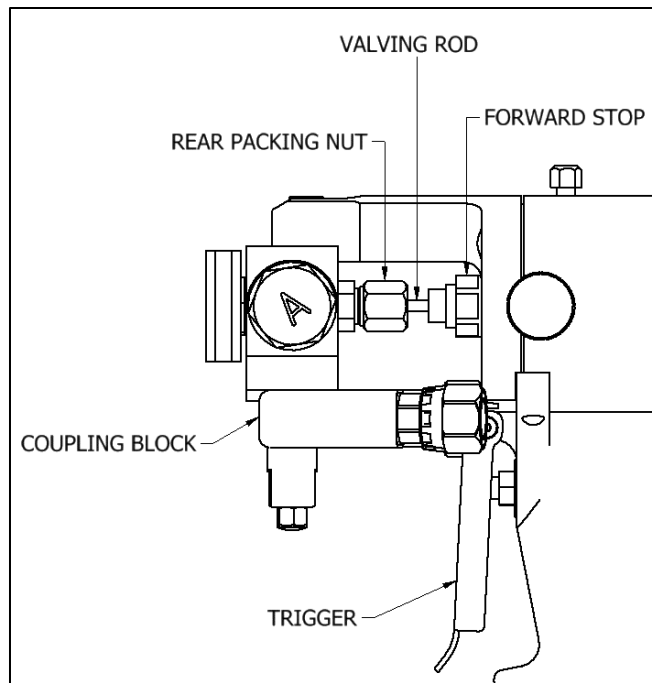


Figure 3: PX-7 Side View

OPERATION

CAUTION! When working with the PX-7 Gun or performing maintenance work, wear suitable safety protection in accordance with the recommendations and specifications provided by the product suppliers.

1. Set the **Safety Stop** to the **LOCKED** position (see Figure 4).
2. Install hose to the **Coupling Block** (see Figure 5).

NOTE! The material delivery hoses are color coded Red and Blue. The Red corresponds to the Isocyanate (A) and the Blue to the Polyol (R). To avoid connection errors, the (A) and (B) hoses have connections with different sizes to avoid incorrect connections.

3. Ensure the **Manual Valves** are **CLOSED** by turning them to the full clockwise position using supplied 5/16" nut driver. (see Figure 6).

CAUTION! Excessive force closing or opening the Manual Valves may result in damage to the Manual Valves and/or Coupling Block. Never use a socket wrench to close the manual valves.

4. Ensure the **Coupling Block Gaskets** are installed in the **Gun Block**. Replace if necessary (see Figure 7).
5. Connect the **Coupling Block** to the **Gun Block** using the **Nut Driver** provided. Tighten the **Coupling Block** until there is a hand tight seal.
6. Connect the **Air Hose** to the **Air Inlet** at the back of the **Gun**, and then connect the **Air Hose** to the **Supply Air Hose**. Alternatively, remove the **Pipe Plug** from inside the **Gun Handle** and replace with the supplied **Pipe Extension**. Connect the **Air Hose** and **Adapter** to the **Pipe Extension**, and then connect the **Air Hose** to the **Supply Air Hose** (see Figure 8).

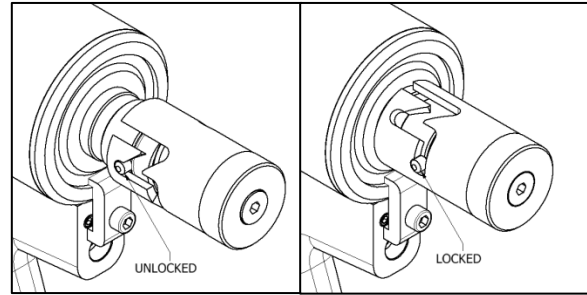


Figure 4: Safety Stop

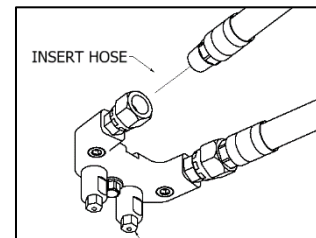


Figure 5: Coupling Block Hose Installation

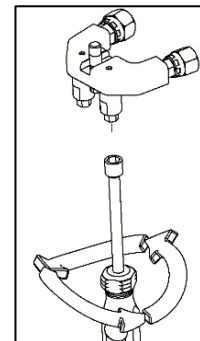


Figure 6: Closing Manual Valves

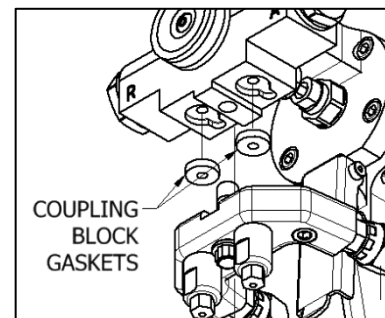


Figure 7: Coupling Block Gaskets

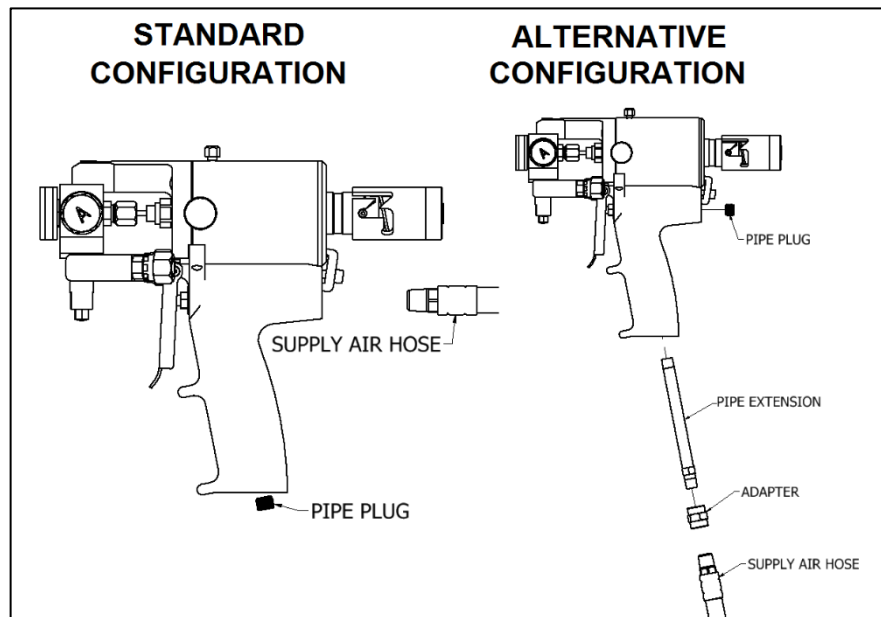


Figure 8: Air Inlet Configuration Options

7. Pull the **Trigger** several times to check for correct movement of the **Valving Rod**.
8. Ensure the Proportioner and supply system are in the ready position and all processing parameters are satisfied per the chemical manufacturer's specifications.
9. **OPEN** each **Manual Valve** by turning three (3) full turns counter clockwise.
10. Set the **Safety Stop** to the **OPEN** position.
11. Perform a test spray.

Mixing Module and PCD Installation

1. Remove the **Coupling Block** from the **Gun**.
2. Flush the **Gun Block** per the Daily Cleaning Procedure on page 14
3. Remove the **Air Cap**, **PCD Retainer**, **PCD**, **Front Packing Retainer** with the **Front Packing**, and the **Mixing Module** as applicable
4. Ensure the **Air Hose** is connected to the **Supply Air Hose**, and the gun is in the **Unlocked** position
5. Push **Mixing Module** into **Gun Block** onto **Valving Rod** (See Figure 10 and Figure 11).
6. Pull and hold the **Trigger** until after step 8

7. Screw the **Front Packing Retainer** (with **Front Packing** for spray applications) onto the **Gun Block** until it is hand tight
8. Tighten the **Front Packing Retainer** with a 5/8" Wrench and release the **Trigger**
9. If **Module** has been used previously, skip to step 12, for initial **Module** install, remove **Front Packing Retainer** (with **Front Packing** if applicable) and **Module** (pull **Trigger** to release **Module**)
10. Clean out orifices in **Module** using supplied **Drills**
11. Reinstall **Module** and **Front Packing Retainer** (with **Front Packing** if applicable)
12. Turn the **Forward Stop** clockwise (as viewed from the front of the gun) approximately 1-2 turns (see Figure 9)
13. For pour applications, skip this step. For spray applications, install the **PCD** onto the **Front Packing Retainer** and screw on the **PCD Retainer** and **Air Cap** (See Figure 10)

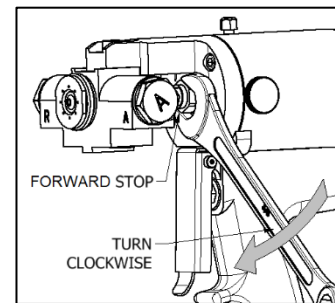


Figure 9: Turn Forward Stop Clockwise

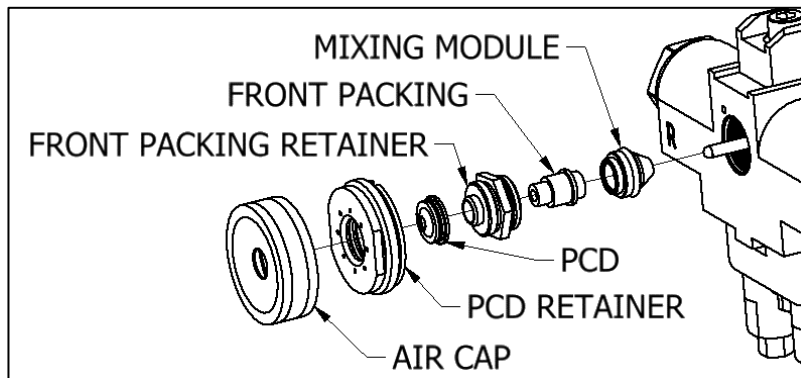


Figure 10: Spray Configuration

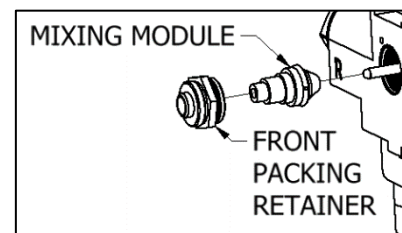


Figure 11: Pour Configuration

14. Adjust **Valving Rod** per the procedure below.

Valving Rod Adjustment

CAUTION! Failure to perform Valving Rod Adjustment Procedure properly may cause pattern deformation and damage to Valving rod and/or PCD.

1. Set the **Safety Stop** to the **LOCKED** position.
2. Ensure the **Manual Valves** are **CLOSED** by turning them to the full clockwise position.

CAUTION! Excessive force closing or opening Manual Valves may result in damage to the Manual Valves and/or Coupling Block.

3. Remove **Coupling Block** from **Gun**
4. Clean **Gun** per Daily Cleaning Procedure on page 14.
5. Connect the **Air Hose** to the **Supply Air Hose**.
6. Loosen the **Rear Packing Nut**.
7. Loosen **Forward Stop Clamp Screw** at top of **Cylinder**.

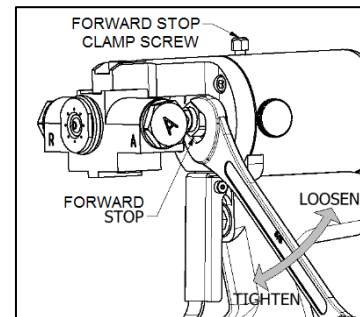


Figure 12: Valving Rod Adjustment

8. Turn **Forward Stop** fully counterclockwise to loosen.
9. Slowly tighten **Forward Stop** by turning clockwise until snug resistance is felt. Then, loosen 1/6 of a turn (one wrench flat).
10. Hand-tighten **Forward Stop Clamp Screw**. If **Forward Stop Clamp Screw** bottoms out before resistance is felt, replace the plastic pellet in the hole.
11. Tighten **Rear Packing Nut** until finger tight and turn with wrench one half turn, then adjust as necessary.

Rear Packing Nut Adjustment

1. **Rear Packing Nut** (see Figure 13) should be initially installed finger-tight, then turned with a 1/2" wrench one half turn.
2. If excessive leaking occurs during operation, adjust **Rear Packing Nut** with a 1/2" wrench as necessary to prevent leakage. Do not overtighten.

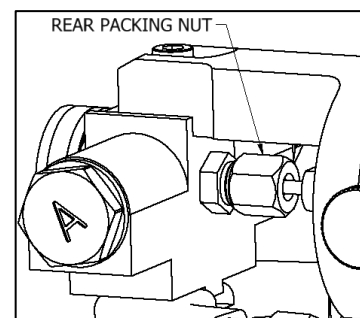


Figure 13: Rear Packing Nut

CAUTION! Overtightening the rear packing

nut can damage the rear packing and/or cause the Valving Rod to move slowly.

3. If leakage continues, replace **Rear Packing**.

Air Cap Valve Adjustment

1. Experiment with spraying.
2. If excessive overspray is observed and/or spray pattern is not satisfactory, decrease air flow to **Air Cap** by turning **Air Cap Adjustment Valve** clockwise (see Figure 14).
3. If mixed material builds up on **PCD**, increase air flow to **Air Cap** by turning **Air Cap Adjustment Valve** counter-clockwise.

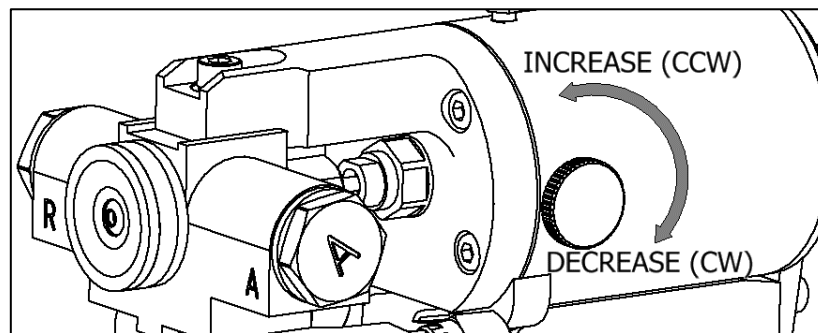


Figure 14: Air Cap Valve Adjustment

Shutdown Procedure

1. Set the **Safety Stop** to the **LOCKED** position and **CLOSE** the **Manual Valves** by turning them to the full clockwise position using the supplied 5/16" **Nut Driver**.

CAUTION! Excessive force closing or opening Manual Valves may result in damage to the Manual Valves and/or Coupling Block.

2. Disconnect the air supply.
3. Remove the **Coupling Block** and clean the **Gun** per the Daily Cleaning Procedure (see page 14).

MAINTENANCE

To obtain maximum performance from your PX-7 Gun, it is necessary to periodically perform certain maintenance operations

WARNING! Before proceeding with any maintenance work on the PX-7 Gun, trigger the gun to remove internal material pressure, ensure the Manual Valves are CLOSED, ensure the Gun Lock is in the LOCKED position, and SHUT OFF/DISCONNECT the air supply. It is recommended to remove the Gun from the Coupling Block.



To prevent possible injury caused by incorrect handling of the materials and solvents used in the process, carefully read the Material Safety Data Sheet (MSDS) provided by your supplier.



To avoid damage caused by the impact of pressurized fluids, do not open any connection or perform maintenance work on components subject to pressure until the pressure has been completely eliminated.



Use suitable protection when operating, maintaining or being present in the area where the equipment is functioning. This includes, but is not limited to, the use of protective goggles, gloves, shoes and safety clothing and breathing equipment.



The equipment includes components that reach high temperatures and can cause burns. Hot parts of the equipment must not be handled or touched until they have cooled completely.



The equipment sprays high pressure fluids that can lead to fluid being injected under the skin or eyes. Severe injury could be incurred. Proper personal protective equipment should be used in conjunction with training and situational awareness of all personnel on the job.

Daily Cleaning Procedure

1. Remove the **Coupling Block** and install the **Flush Block**.
2. Ensure the **Flush Tank** is pressurized (see Flush Tank manual for instructions).
3. Trigger the **Gun** into a waste container until the solvent or gun cleaner has completely flushed the system.
4. Remove the **Air Cap**, **PCD Retainer**, and **PCD**.
5. Repeat Flush procedure.
6. Disconnect the **Flush Block**, lock **Safety Stop**, and disconnect **Air Supply**.
7. Inspect and clean **Gun Block**, **Air Cap**, **PCD Retainer**, **PCD**, **Mixing Module**, **Screen Screws**, **Screens**, and **Check Valves**.
8. Use supplied **PMC Lubriplate Grease** on O-rings and threads.

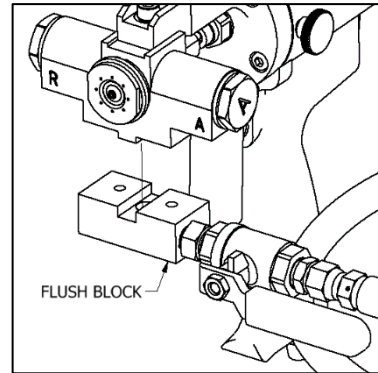


Figure 15: Flush Block

Installation

CAUTION! Never use air tool oil to lubricate gun. The use of air tool oil can cause the O-rings to swell and will void the warranty.

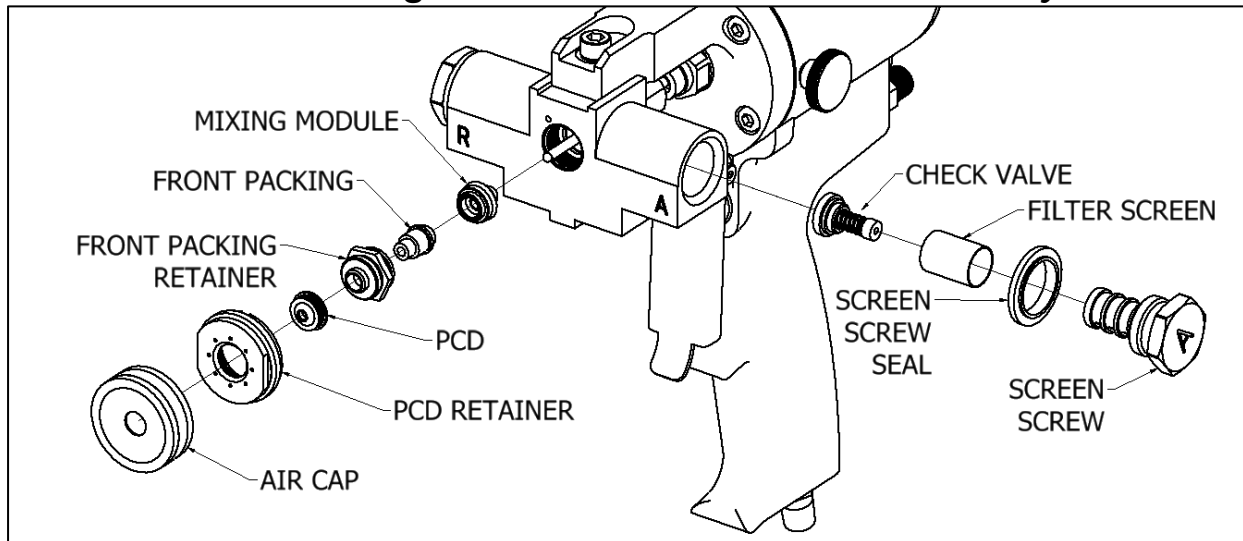


Figure 16: Clean Parts

TROUBLE SHOOTING GUIDE

PROBLEM	POSSIBLE CAUSE	SOLUTION
Material does not spray when Gun is triggered	Lock is in "Locked" position	Unlock gun
	Air supply is not on	Turn on air supply
	Manual Valves CLOSED	OPEN
	Mixing Module Inlet Orifices plugged	Clean
	Screens are clogged	Clean
	Screen Screw Check Valve plugged or stuck	Replace
Valving Rod moves slowly	Air Tool Oil was used	Replace O-rings
	Insufficient Gun air pressure (minimum 90 psi)	Ensure 90 psi air pressure
	Rear Packing Nut too tight	Adjust (see Page 10)
	Air Passages plugged	Clean
	Air Manifold requires service	Rebuild
	Piston Assembly requires service	Rebuild
	Worn Module	Replace
Pattern deformation	Incorrect chemical temperature	See Proportioner Manual
	Valving Rod requires adjustment	Adjust (see Page 10)
	Mixing Module and/or PCD dirty	Inspect and clean
	Worn Module	Replace
Material spray pressure imbalance	Material temperatures not as recommended	Adjust
	Dirty filter screens	Replace
	Screen Screw Check Valve plugged or stuck	Replace
	Mixing Module Inlet Orifices plugged	Clean
	Worn Module	Replace
Chemicals leak from Gun Block	Coupling Block Gaskets damaged or missing	Replace
	Rear/Front Packing, or Mixing Module worn	Replace
Excessive overspray	Material temperatures and/or spray pressures not as recommended by material supplier	Adjust, see Proportioner Operating Manual
	Too much air flow to Air Cap	Adjust Air Cap Valve
Buildup of material on PCD	Insufficient air flow to Air Cap	Adjust Air Cap Valve
	Plugged air passages in bridge and Gun Block	Clean
Air leakage from Handle	Trigger Valve O-rings damaged	Replace
	Air Cylinder O-rings damaged	Replace

REFERENCE GUIDE

Module Kits								
GUN ITEM NO.	MODULE KIT ITEM NO.	MODULE	DRILL NO.		PCD NO.	NO. OF PORTS	ISO PORT DIA. (IN)	RESIN PORT DIA. (IN)
200561	200547	#1 ROUND	67		90	8	0.0320	0.0320
200563	200549	#3 ROUND	74	77	70	8	0.0225	0.0180
200565	200551	#5 ROUND	74	70	70	8	0.0225	0.0280
200572	200558	A3 POUR	61		--	2	0.0390	
200573	200559	A5 POUR	67		--	2	0.0320	

PCD Sizes

ITEM NO.	PCD NO.	DIA. (IN)
200485	PCD 90	0.89
200487	PCD 70	0.73

Module Drills

DRILL NO.	DIA. (IN)
67	0.0320
77	0.0180
70	0.0280
61	0.0390
74	0.0225

Cylinder/Piston Rebuild Kit (200615)

PART NUMBER	QTY	DESCRIPTION
200462	1	O-RING #004
200380	1	GASKET: NEEDLE VALVE
200375	1	GASKET: CYLINDER
200457	1	O-RING #140
200458	1	O-RING #328
200459	1	O-RING #018
200460	2	O-RING #012
200461	1	O-RING #010
200463	2	O-RING #009
GP-LUBEGREASE	1	GREASE

Trigger Rebuild Kit (200616)

PART NUMBER	QTY	DESCRIPTION
200441	1	SPRING
200463	2	O-RING #009
200435	1	SPOOL VALVE
200513	4	O-RING #013
200440	1	LINER
GP-LUBEGREASE	1	GREASE

Gun Block Rebuild Kit, PX-7 (200617)

PART NUMBER	QTY	DESCRIPTION
-	2	SCREEN, PX-7
-	1	SCREEN SCREW, R-SIDE, PX-7
-	1	SCREEN SCREW, A-SIDE, PX-7
-	1	REAR PACKING, PX-7
-	2	SCREEN SCREW SEAL
-	2	CHECK VALVE ASSEMBLY, PX-7
-	2	COUPLING BLOCK GASKET
200502	1	O-RING, AFLAS, -118

Screen Screw Kit, A-Side, PX-7 (200618)

PART NUMBER	QTY	DESCRIPTION
-	2	SCREEN, PX-7
-	1	SCREEN SCREW, A-SIDE, PX-7
-	2	SCREEN SCREW SEAL
-	2	CHECK VALVE ASSEMBLY, PX-7

Screen Screw Kit, R-Side, PX-7 (200619)

PART NUMBER	QTY	DESCRIPTION
-	2	SCREEN, PX-7
-	1	SCREEN SCREW, R-SIDE, PX-7
-	2	SCREEN SCREW SEAL
-	2	CHECK VALVE ASSEMBLY, PX-7

PX-7 Spare Parts Kit, #1, PX-7 (200628)

PART NUMBER	QTY	DESCRIPTION
-	4	SCREEN 80
-	2	SEAL; SCREEN SCREW
-	1	REAR PACKING
200616	1	TRIGGER REBUILD KIT
200615	1	CYLINDER/PISTON REBUILD KIT
-	2	GASKET; COUPLING BLOCK
-	2	CHECK VALVE ASSY
GU-020	2	MANUAL VALVE ASSY.
KT-020	1	MANUAL VALVE SOFTWARE KIT
200547	1	MODULE KIT; #1
200377	1	VALVING ROD

PX-7 Spare Parts Kit, #3, PX-7 (200629)

PART NUMBER	QTY	DESCRIPTION
-	4	SCREEN 80
-	2	SEAL; SCREEN SCREW
-	1	REAR PACKING
200616	1	TRIGGER REBUILD KIT
200615	1	CYLINDER/PISTON REBUILD KIT
-	2	GASKET; COUPLING BLOCK
-	2	CHECK VALVE ASSY
GU-020	2	MANUAL VALVE ASSY.
KT-020	1	MANUAL VALVE SOFTWARE KIT
200549	1	MODULE KIT; #3
200377	1	VALVING ROD

PX-7 Spare Parts Kit, #5, PX-7 (200630)

PART NUMBER	QTY	DESCRIPTION
-	4	SCREEN 80
-	2	SEAL; SCREEN SCREW
-	1	REAR PACKING
200616	1	TRIGGER REBUILD KIT
200615	1	CYLINDER/PISTON REBUILD KIT
-	2	GASKET; COUPLING BLOCK
-	2	CHECK VALVE ASSY
GU-020	2	MANUAL VALVE ASSY.
KT-020	1	MANUAL VALVE SOFTWARE KIT
200551	1	MODULE KIT; #5
200377	1	VALVING ROD

PX-7 Spare Parts Kit, A3, PX-7 (200626)

PART NUMBER	QTY	DESCRIPTION
-	4	SCREEN 60
-	2	SEAL; SCREEN SCREW
-	1	REAR PACKING
200616	1	TRIGGER REBUILD KIT
200615	1	CYLINDER/PISTON REBUILD KIT
-	2	GASKET; COUPLING BLOCK
-	2	CHECK VALVE ASSY
GU-020	2	MANUAL VALVE ASSY.
KT-020	1	MANUAL VALVE SOFTWARE KIT
200558	1	MODULE KIT; A3
200377	1	VALVING ROD

PX-7 Spare Parts Kit, A5, PX-7 (200627)

PART NUMBER	QTY	DESCRIPTION
-	4	SCREEN 60
-	2	SEAL; SCREEN SCREW
-	1	REAR PACKING
200616	1	TRIGGER REBUILD KIT
200615	1	CYLINDER/PISTON REBUILD KIT
-	2	GASKET; COUPLING BLOCK
-	2	CHECK VALVE ASSY
GU-020	2	MANUAL VALVE ASSY.
KT-020	1	MANUAL VALVE SOFTWARE KIT
200559	1	MODULE KIT; A5
200377	1	VALVING ROD

Screen Kits

PART NUMBER	QTY	DESCRIPTION
200625	10	SCREEN KIT 60 (STANDARD WITH POUR GUN)
200645	10	SCREEN KIT 40
200646	10	SCREEN KIT 80 (STANDARD WITH SPRAY GUN)

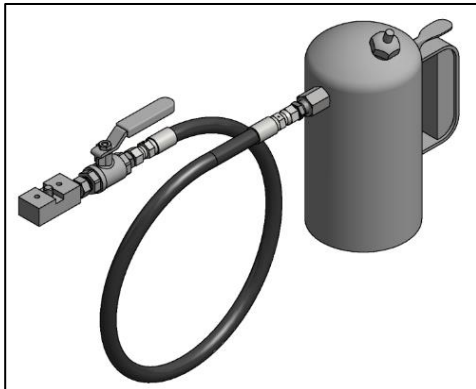
1/4" Unheated Stainless Steel Hose Assy. (MA-41)

PART NUMBER	DESCRIPTION
MA-43	AIR HOSE, 22"
MA-41A	REPLACEMENT HOSE, "A" SIDE
MA-41R	REPLACEMENT HOSE, "R" SIDE

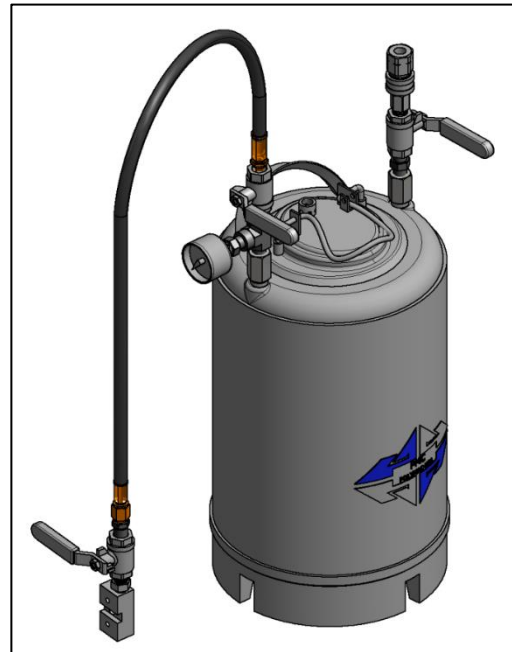


Figure 17: Kit MA-41 Shown on PX-7

Flush Tanks



*Figure 19: 1 QT Mini Flush Tank
(200216)*

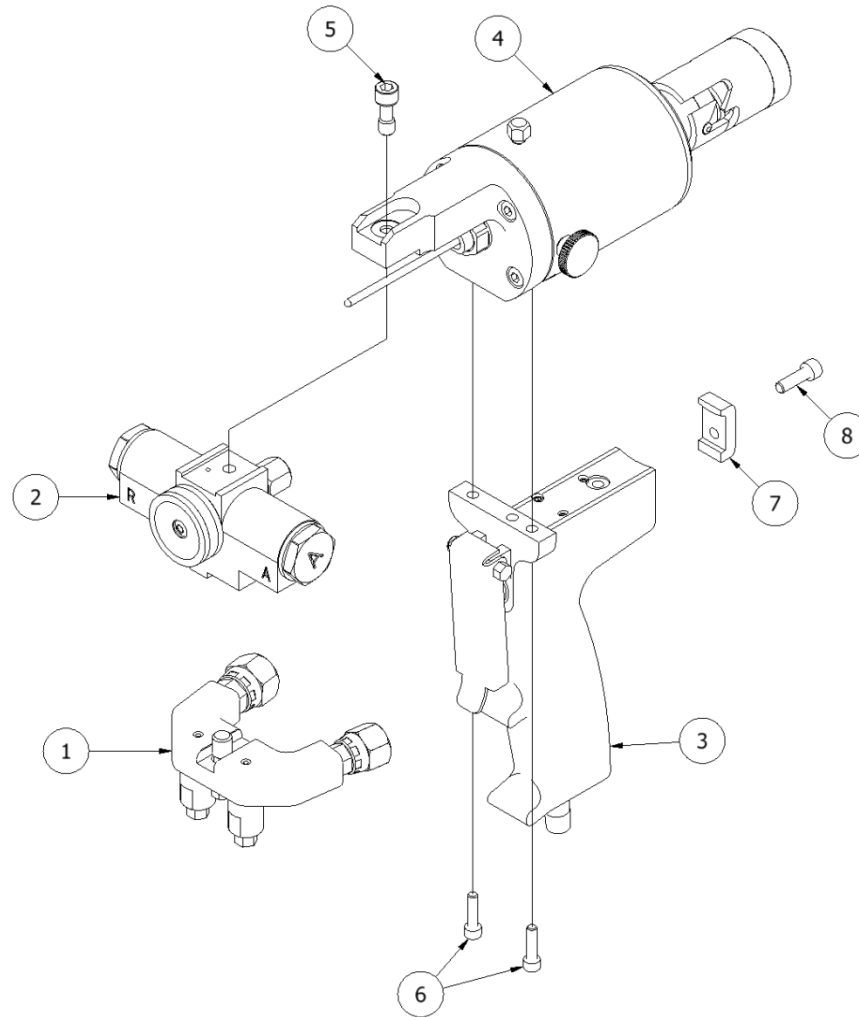


*Figure 18: 2.5 Gallon Flush Tank
(200426)*

REFER TO FLUSH TANK MANUAL FOR DETAILS

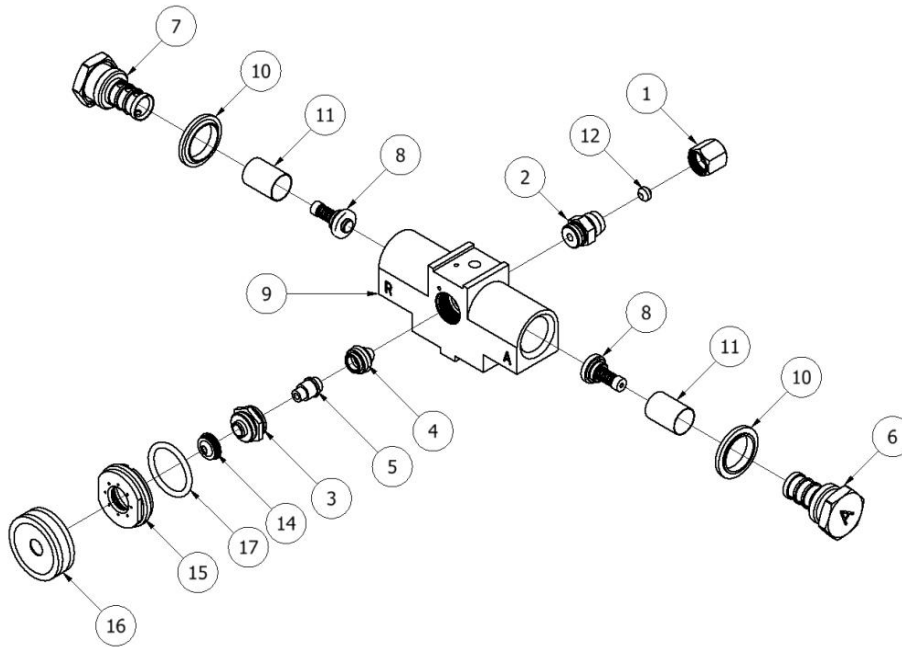
PARTS IDENTIFICATION

Gun Assembly



PARTS LIST			
ITEM	QTY	PART NUMBER	DESCRIPTION
1	1	GU-04001	COUPLING BLOCK ASSEMBLY
2	1	200468	GUN BLOCK ASSY, PX-7
3	1	200470	HANDLE ASSEMBLY, PX-7
4	1	200469	AIR PISTON ASSEMBLY
5	1	200376	MOUNTING BOLT, BRIDGE, PX-7
6	2	FLOOR STOCK	SHCS, 8-36 X 0.625, SS
7	1	200438	CYLINDER CLAMP, PX-7
8	1	FLOOR STOCK	SHCS, 10-32 X 0.625, SS

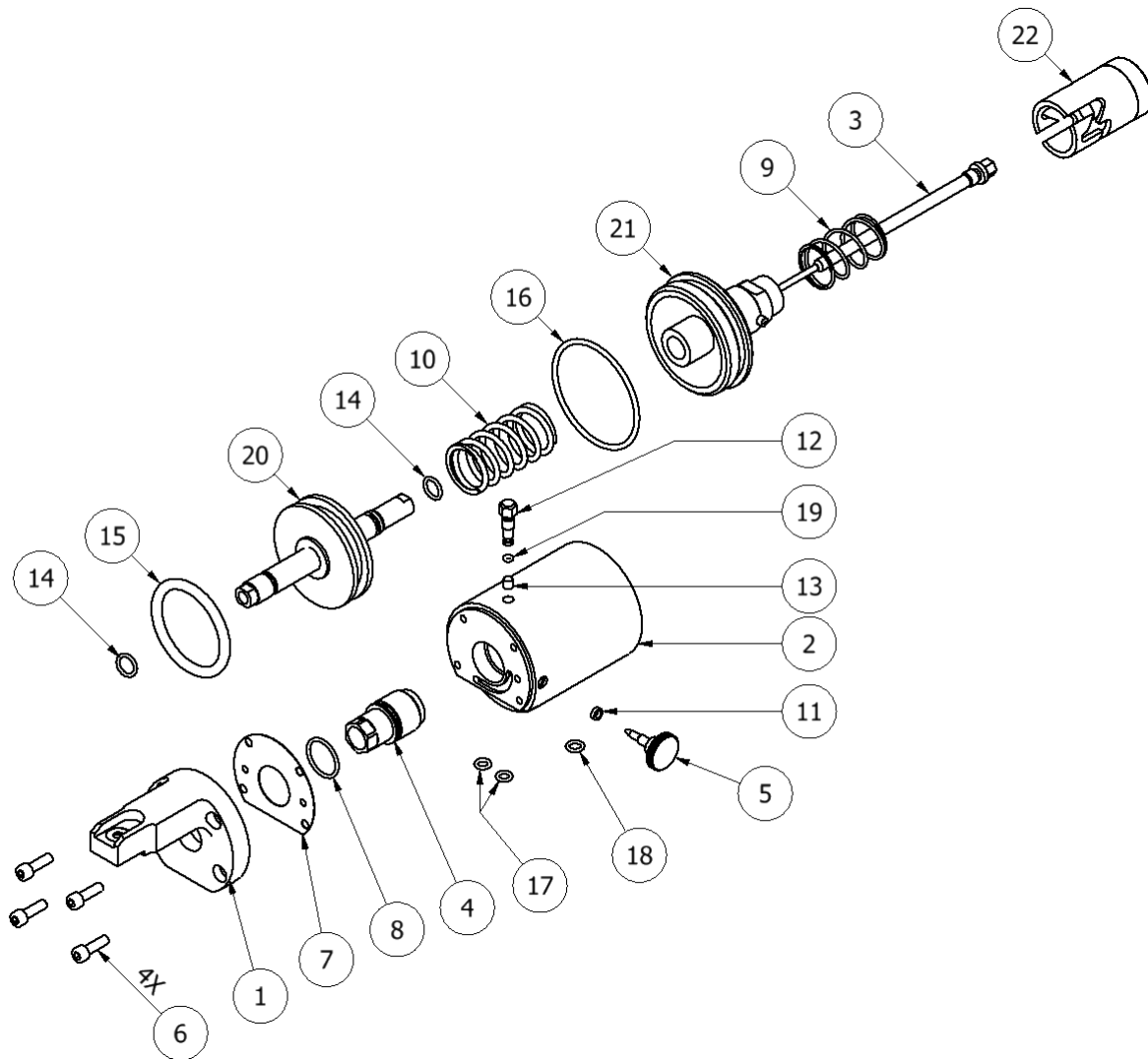
Gun Block Assembly



PARTS LIST			
ITEM	QTY	PART NUMBER	DESCRIPTION
1	-	200648	REAR SEAL PACKING KIT, PX-7 (QTY 5)
2	1	200392	REAR PACKING RETAINER, PX-7
3	1	200456	FRONT PACKING RETAINER, PX-7
4	-	200547-200559	MIXING MODULE KIT (W/ DRILLS) (SEE CHART PG. 16)
5*	1	200397	FRONT PACKING
6	-	200618	SCREEN SCREW KIT, A-SIDE, PX-7
7	-	200619	SCREEN SCREW KIT, R-SIDE, PX-7
8	-	200623	CHECK VALVE KIT, PX-7 (QTY 10)
9	1	200361	GUN BLOCK, PX-7
10	-	200649	SCREEN SCREW SEAL KIT (QTY 2)
11	-	200625	SCREEN KIT 60 (QTY 10) (STANDARD WITH POUR GUN)
		200645	SCREEN KIT 40 (QTY 10)
		200646	SCREEN KIT 80 (QTY 10) (STANDARD WITH SPRAY GUN)
12	-	200648	REAR SEAL PACKING KIT, PX-7 (QTY 5)
13	-	200624	COUPLING BLOCK GASKET KIT (QTY 10)
14*	1	200485-200487	PCD (SEE CHART PG. 16)
15*	1	200493	PCD RETAINER, PX-7
16*	1	200494	AIR CAP, PX-7
17*	1	200502	O-RING,SILICONE,-118

*Not included with pour gun

Air Cylinder Assembly

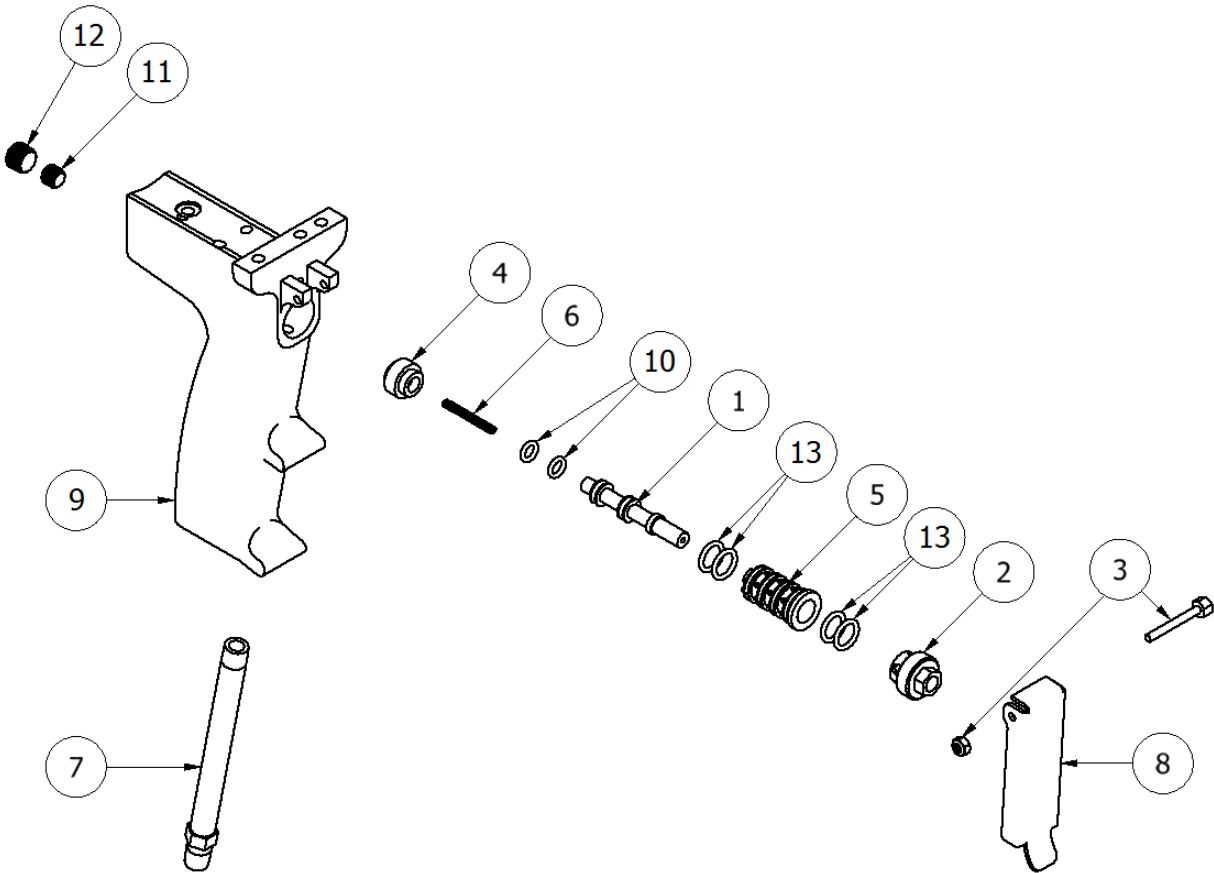


PARTS LIST

ITEM	QTY	PART NUMBER	DESCRIPTION
1	1	200362	BRIDGE, PX-7
2	1	200718	CYLINDER, PX-7
3	1	200377	VALVING ROD, PX-7
4	1	200371	FORWARD STOP, CYLINDER, PX-7
5	1	200372	NEEDLE VALVE, CYLINDER, PX-7
6	4	FLOOR STOCK	SHCS, 10-32 X 0.625, SS
7	1	200375	GASKET, CYLINDER, PX-7
8	1	200459	O-RING, VITON, -018

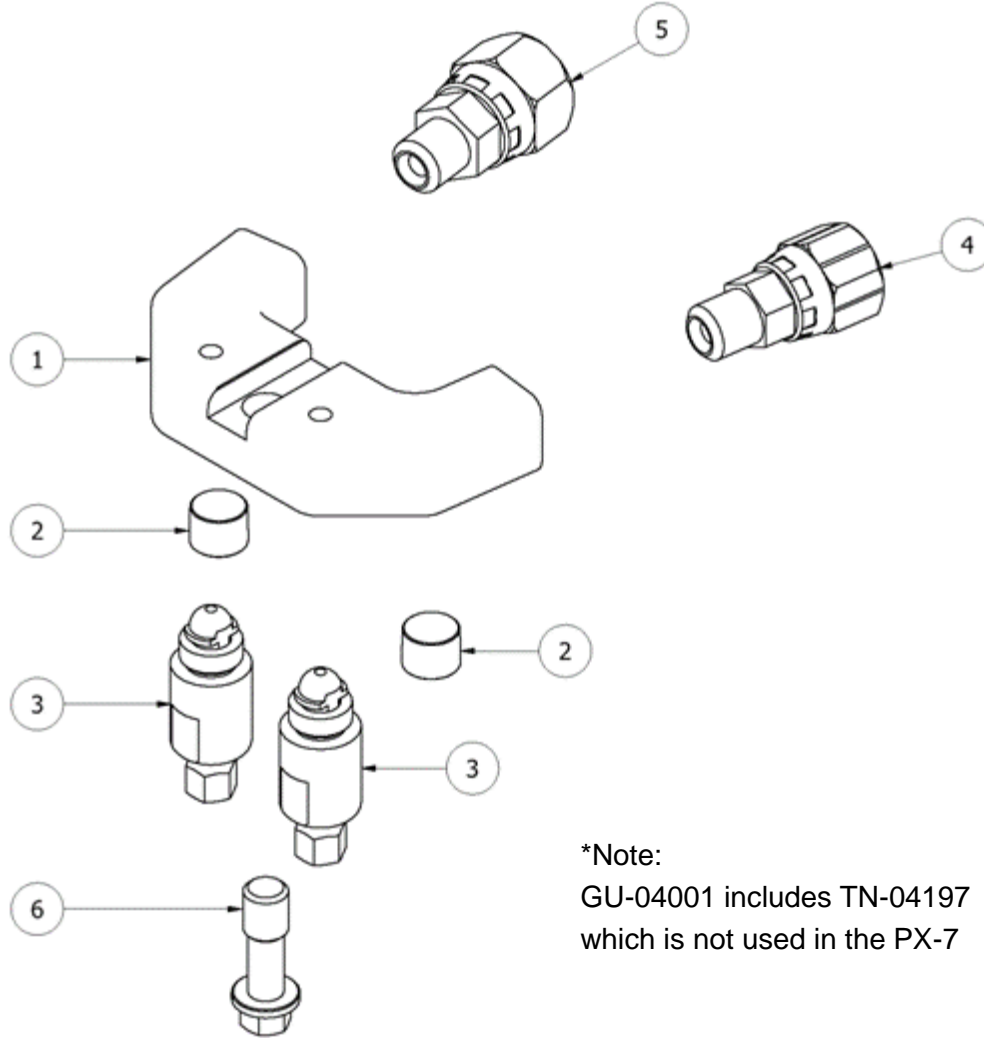
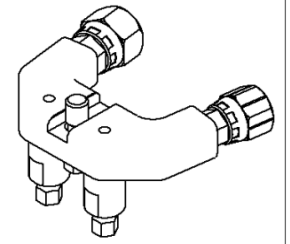
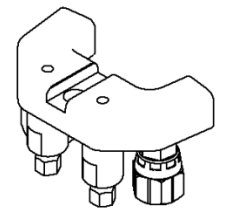
PARTS LIST			
ITEM	QTY	PART NUMBER	DESCRIPTION
9	1	200378	SPRING, 0.970 O.D. X .063 W.D. X 1.00 LG
10	1	200379	SPRING, 1.095 O.D X 0.112 W.D. X 2.00 LG
11	1	200380	GASKET, NEEDLE VALVE, PX-7
12	1	200382	FORWARD STOP CLAMP SCREW, PX-7
13	1	200383	LOCK, BEARING, PX-7
14	2	200460	O-RING, VITON, -012
15	1	200458	O-RING, VITON, -328
16	1	200457	O-RING, VITON, -140
17	2	200463	O-RING, VITON, -009
18	1	200461	O-RING, VITON, -010
19	1	200462	O-RING, VITON, -004
20	1	200471	PISTON ASSEMBLY, PX-7
21	1	200472	CYLINDER END CAP ASSEMBLY, PX-7
22	1	200473	TWO POSITION STOP ASSEMBLY, PX-7

Handle Assembly



PARTS LIST			
ITEM	QTY	PART NUMBER	DESCRIPTION
1	1	200435	SPOOL VALVE, PX-7
2	1	200436	VALVE RETAINER NUT, PX-7
3	-	200647	TRIGGER MOUNTING SCREW KIT, PX-7
4	1	200439	SPRING SEAT, PX-7
5	1	200440	SPOOL LINER, PX-7
6	1	200441	AIR VALVE SPRING
7	1	200454	PIPE EXTENSION, PX-7
8	1	200464	TRIGGER, PX-7
9	1	200717	HANDLE, PX-7
10	2	200463	O-RING, VITON, -009
11	1	200507	PIPE PLUG, 1/16, NPT , STEEL
12	1	200508	PIPE PLUG, 1/8, NPT , STEEL
13	4	200513	O-RING,VITON,9.25 x 1.78MM

Coupling Block Assembly (GU-04001) *

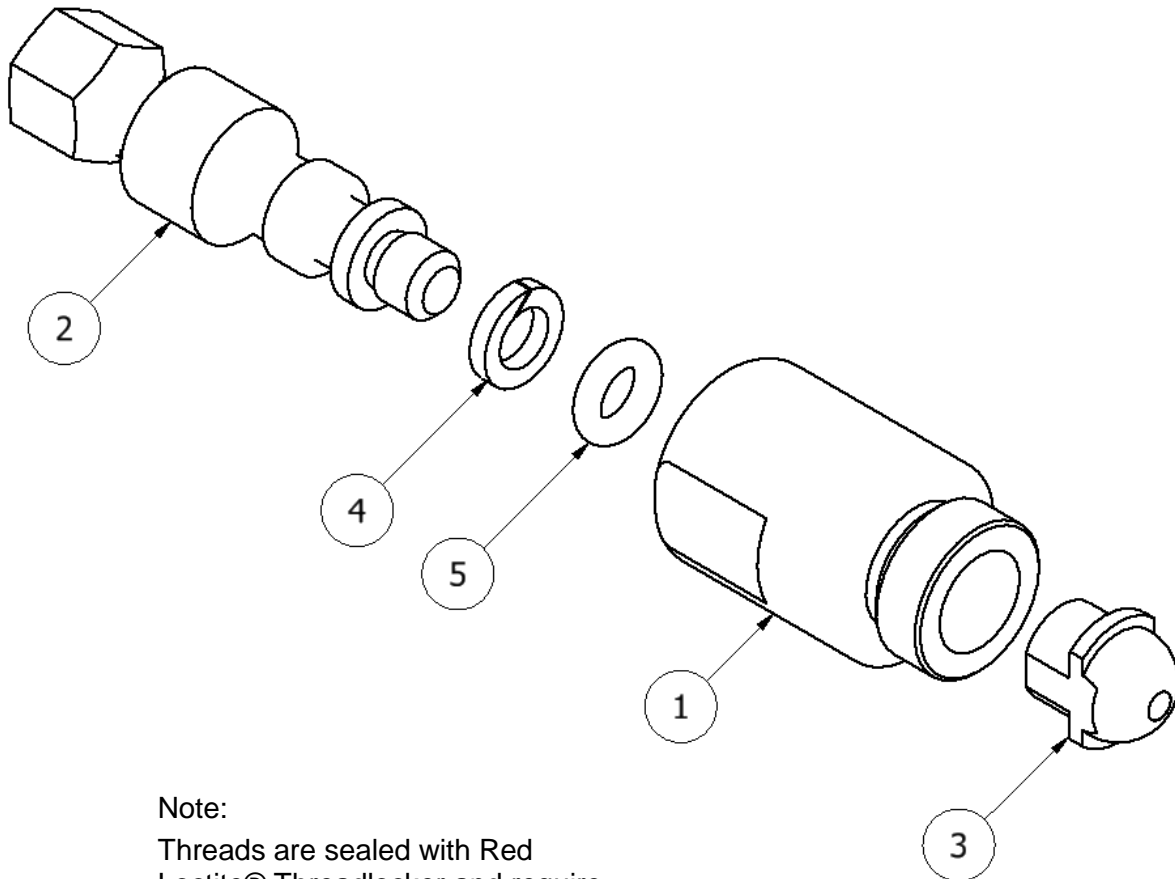

STANDARD ORIENTATION

OPTIONAL ORIENTATION


*Note:

GU-04001 includes TN-04197
which is not used in the PX-7

COUPLING BLOCK ASSEMBLY (GU-04001)			
ITEM	QTY	PART NUMBER	DESCRIPTION
1	1	GU-04001-01	COUPLING BLOCK BODY
2	2	TN-04192	1/8 NPT PIPE PLUG
3	2	GU-020	MANUAL VALVE ASSY
4	1	RA-00005A	1/8 NPT X #5 JIC SWIVEL
5	1	RA-00006A	1/8 NPT X #6 JIC SWIVEL
6	1	TN-04193	COUPLING BLOCK MOUNTING SCREW
	1	TN-04197*	COUPLING BLOCK STABILIZER MOUNTING SCREW

Manual Valve Assembly (GU-020)



Note:

Threads are sealed with Red
Loctite® Threadlocker and require
heat to loosen

PARTS LIST			
ITEM	QTY	PART NUMBER	DESCRIPTION
1	1	GU-022	MANUAL VALVE HOUSING
2	1	GU-021	MANUAL VALVE STEM
3	1	GU-023	MANUAL VALVE SEAT
4	1	OR-016	RING, BACKUP, VITON, #7
5	1	OR-015	O-RING, AFLAS, -007

Torque Specifications

TORQUE (IN-LB)		
PART NUMBER	DESCRIPTION	RECOMMENDED TORQUE
200376	MOUNTING BOLT, BRIDGE, PX-7	80-90
FLOOR STOCK	SHCS, 10-32 X 0.625, SS	30-40
200507	PIPE PLUG, 1/16, NPT , STEEL	2-3 T.F.F.T.*
200508	PIPE PLUG, 1/8, NPT , STEEL	2-3 T.F.F.T.*
TN-04193	COUPLING BLOCK MOUNTING SCREW	160-170

*T.F.F.T = Turns From Finger Tight